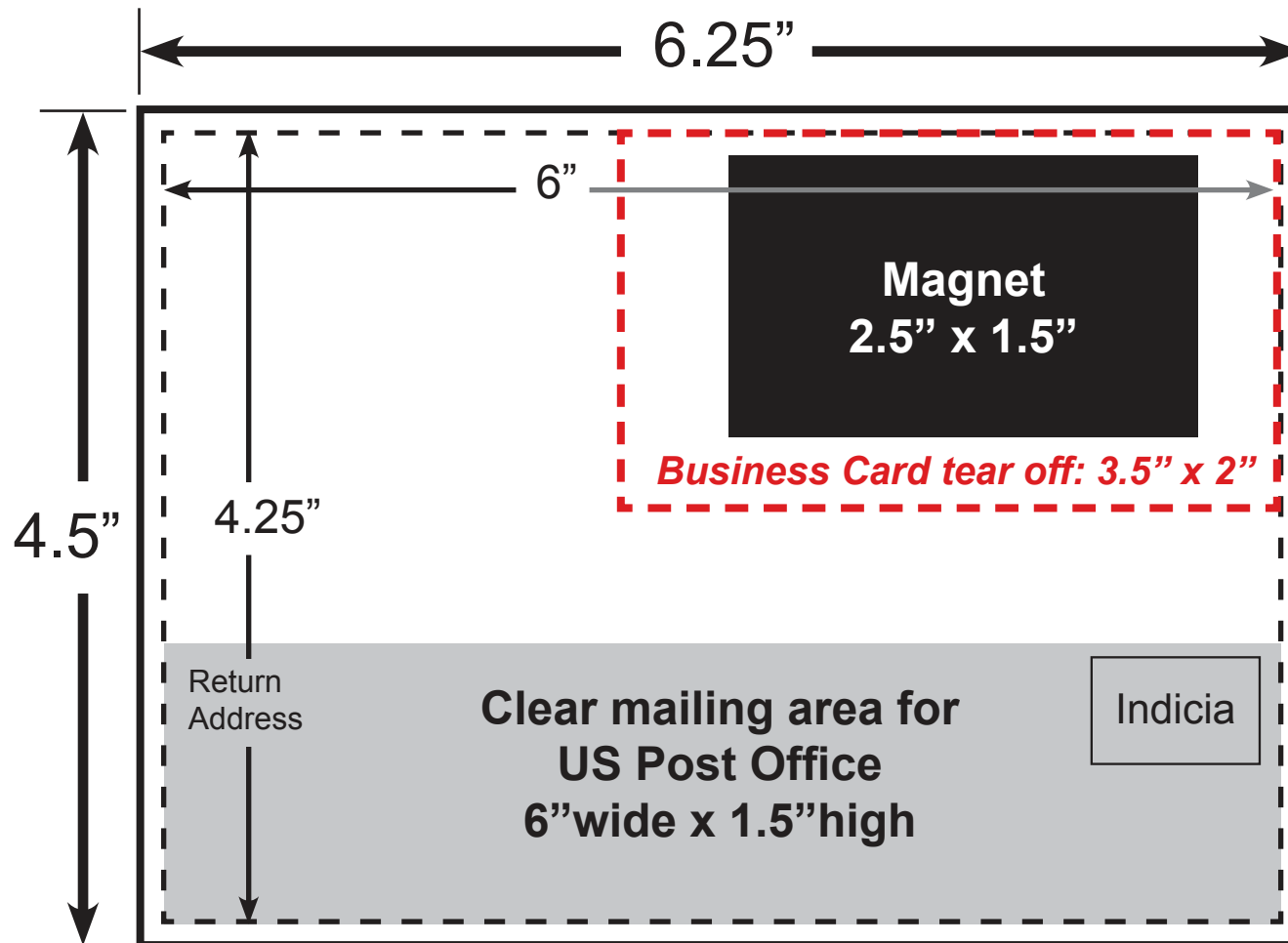
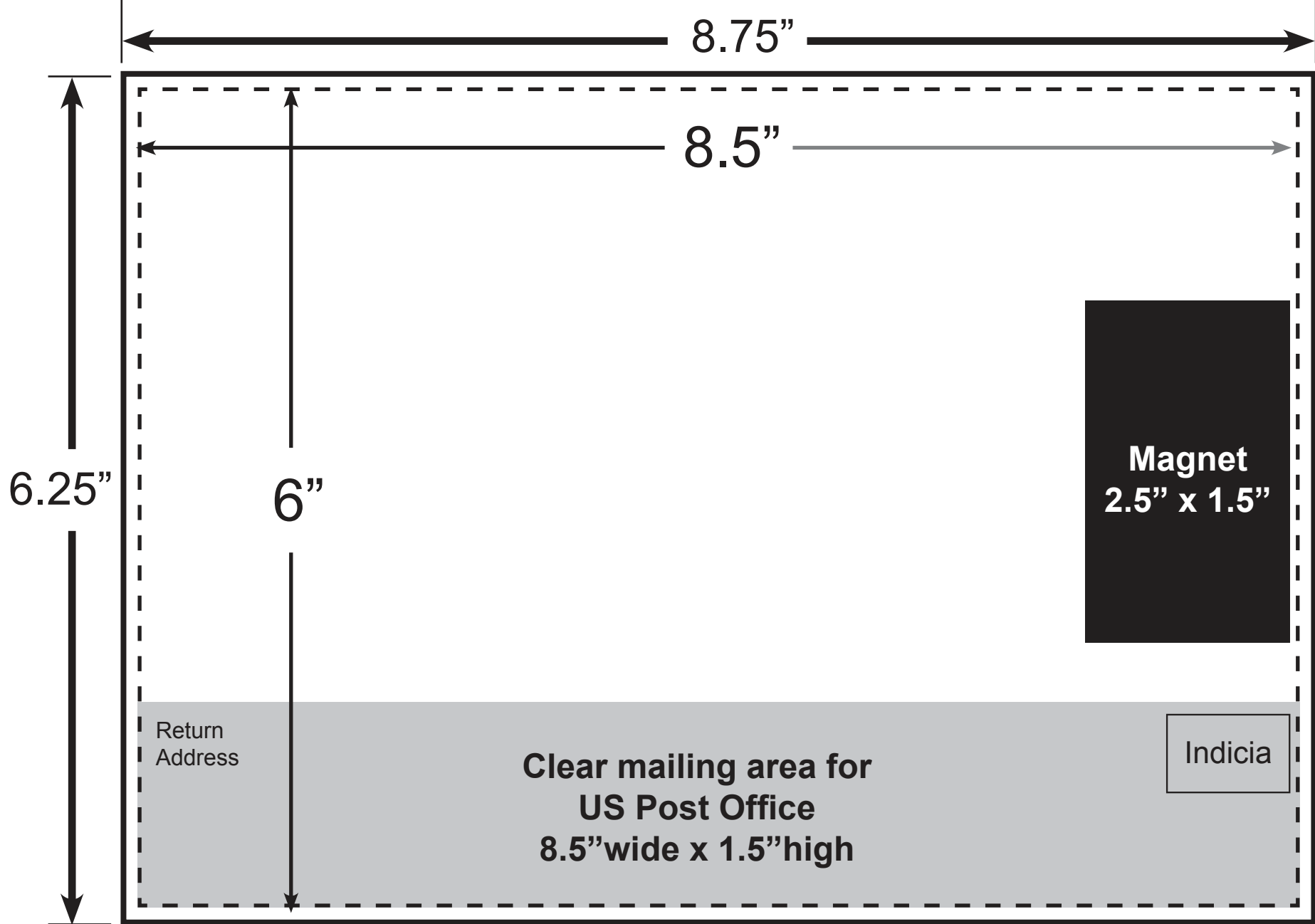


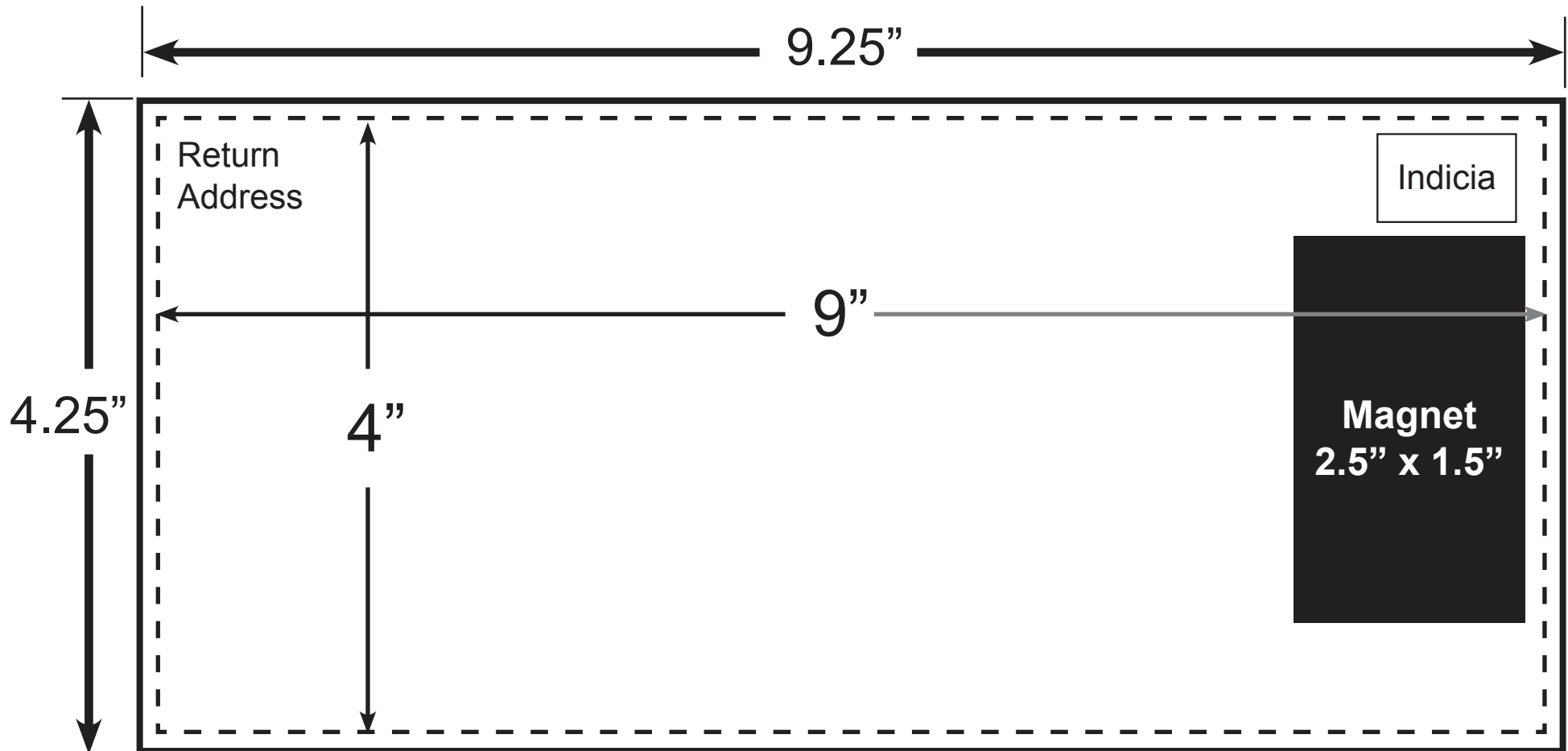
- Design front and back of postcard at 6.25" x 4.5".
- Bring in guides 1/8th of an inch on all sides, this will represent the cut marks of the postcard.
- Extend (or bleed) all background graphics and colors past the cut marks
- Position text and logos at least 1/8th of an inch from the final trim size
- **DO NOT** include crop & registration marks in final files.



- Design front and back of postcard at 6.25" x 4.5".
- Bring in guides 1/8th of an inch on all sides, this will represent the cut marks of the postcard.
- Extend (or bleed) all background graphics and colors past the cut marks
- Position text and logos at least 1/8th of an inch from the final trim size
- Place the 3.5' x 2" business card on a corner bleed
- **DO NOT** include crop & registration marks in final files.



- Design front and back of postcard at 8.75" x 6.25".
- Bring in guides 1/8th of an inch on all sides, this will represent the cut marks of the postcard.
- Extend (or bleed) all background graphics and colors past the cut marks
- Position text and logos at least 1/8th of an inch from the final trim size
- **DO NOT** include crop & registration marks in final files.



- Design front and back of postcard at 9.25" x 4.25".
- Bring in guides 1/8th of an inch on all sides, this will represent the cut marks of the postcard.
- Extend (or bleed) all background graphics and colors past the cut marks
- Position text and logos at least 1/8th of an inch from the final trim size
- **DO NOT** include crop & registration marks in final files.